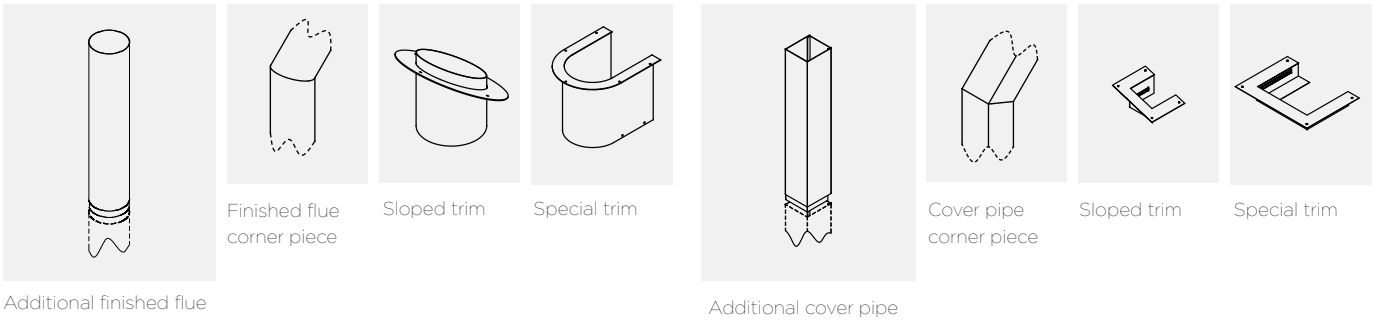


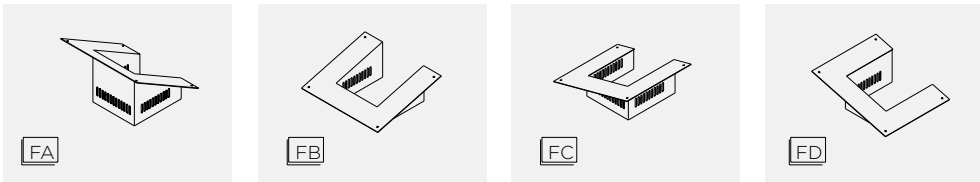
Custom adaptations



For other modifications please ask to our technics.

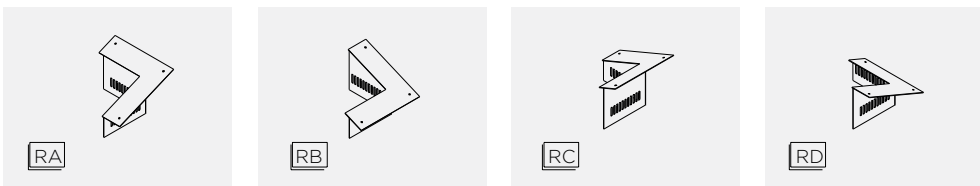
Angle options

Options for frontal model



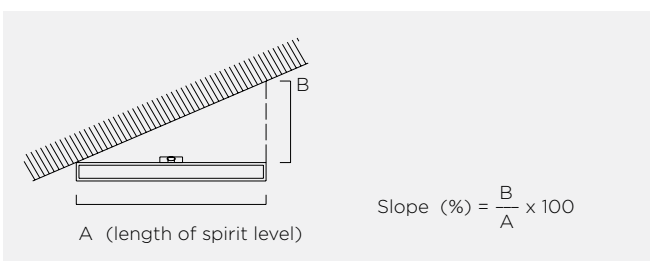
* Trim may slope in two directions and not match any of the examples. Please enquire about special cases.

Options for corner model

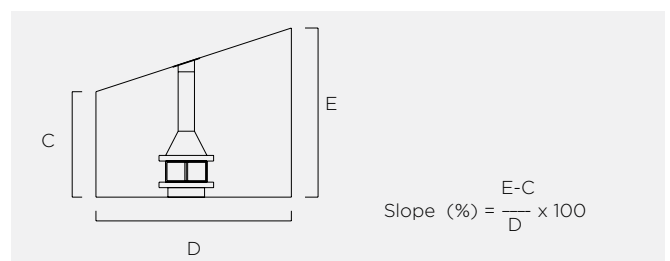


Measuring the pitch angle

Using spirit level

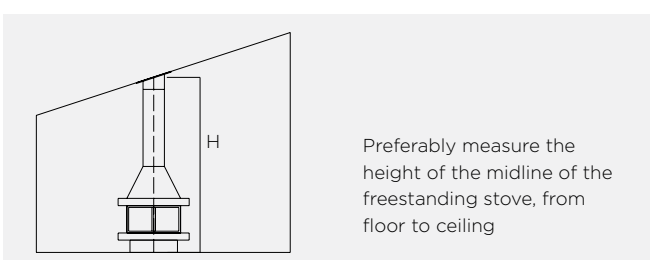


Using a tape measure



Measuring the height

Frontal fireplace



Corner fireplace

