

OPERATION WHEN DIRECTLY CONNECTED TO CHIMNEY	Cupola	Hot air exchanger
Tested according to	EN 13229	EN 13229
Nominal heat power	6 kW	9 kW
Efficiency	> 80 %	> 80 %
Consumption of wood	1,8 kg/h	2,6 kg/h
Mass flow of flue gas	6,1 g/s	7,5 g/s
Average flue gas temperature on the output	232 °C	255 °C
Heat distribution		
fireplace insert	74–84 %	74–84 %
door glass (single / double)	26 / 16 %	26 / 16 %
Required chimney pressure	12 Pa	12 Pa
Required amount of combustion air	20 m ³ /h	25 m ³ /h
Minimum supply air grating cross-section	600 cm ²	900 cm ²
Minimum outgoing air grating cross-section	700 cm ²	1050 cm ²

OPERATION WITH CONNECTED ACCUMULATION MASS	Cupola	Adaptor
Load of wood	6 kg	6 kg
Total heat output of the burning chamber	24 kW	24 kW
Mass flow of flue gas	20 g/s	20 g/s
Average flue gas temperature on the output ¹⁾	414 °C	423 °C
past 4 m of ceramic accumulation system KMS 300 ²⁾	181 °C	–
past 5 pcs of accumulation rings KAM + termination ring	–	242 °C
Heat distribution		
fireplace insert	40 %	34 %
door glass (single / double)	26 / 16 %	26 / 16 %
adjoining accumulation mass	34–44 %	40–50 %
Required chimney pressure	12 Pa	12 Pa
Minimum radiant area ³⁾	ca. 5,5 m ²	ca. 5,5 m ²
Required amount of combustion air	60 m ³ /h	60 m ³ /h

GENERAL TECHNICAL INFORMATION	
Combustion air connection	Ø 125 mm
Total weight / lining weight	ca. 158 / 75 kg
Use in non-ventilated accumulation builds according to craft rules	suitable
Meets values	BlmSchV (Stufe2), 15a BVG

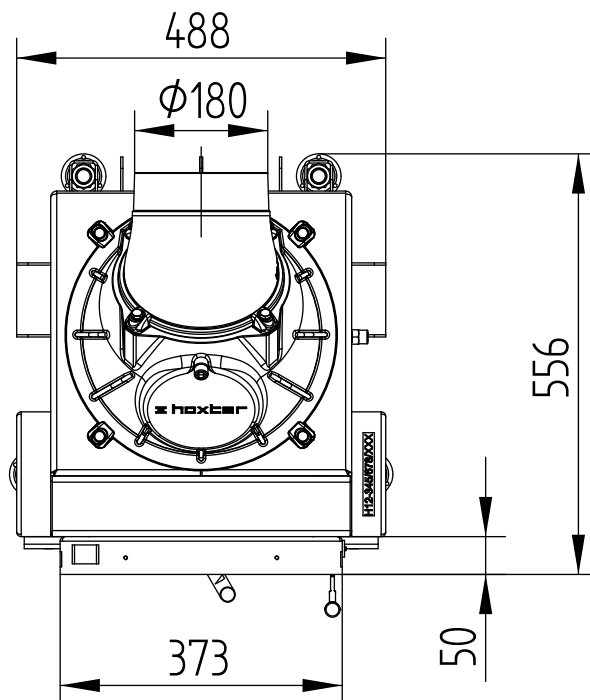
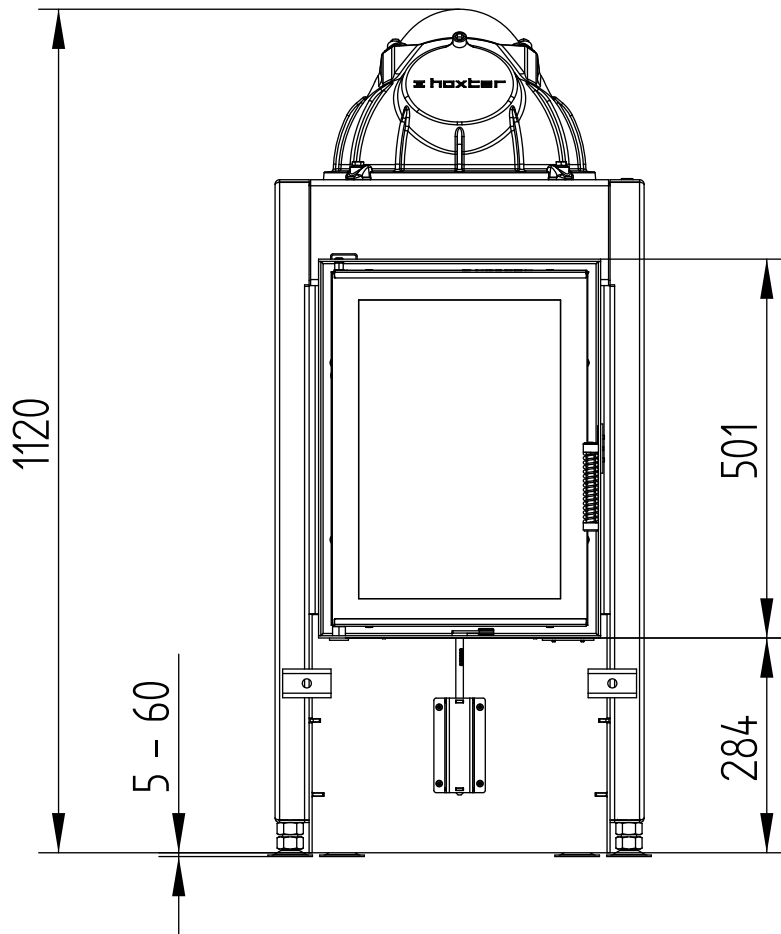
- 1) The Hoxter products are available in the Austrian stove-calculation program for evaluation of firebrick accumulation systems.
- 2) Only a sample calculation! For accurate results is evaluation of each system in the KMS-calculation program from the Ortner company necessary.
- 3) Depends on accumulation period and material characteristics and its thickness. Calculated with heat emission of the radiant area ca. 500 W/m².hr

HAKA 37/50G

WITH CUPOLA

Technical data
Version 01/2018

M 1 : 10

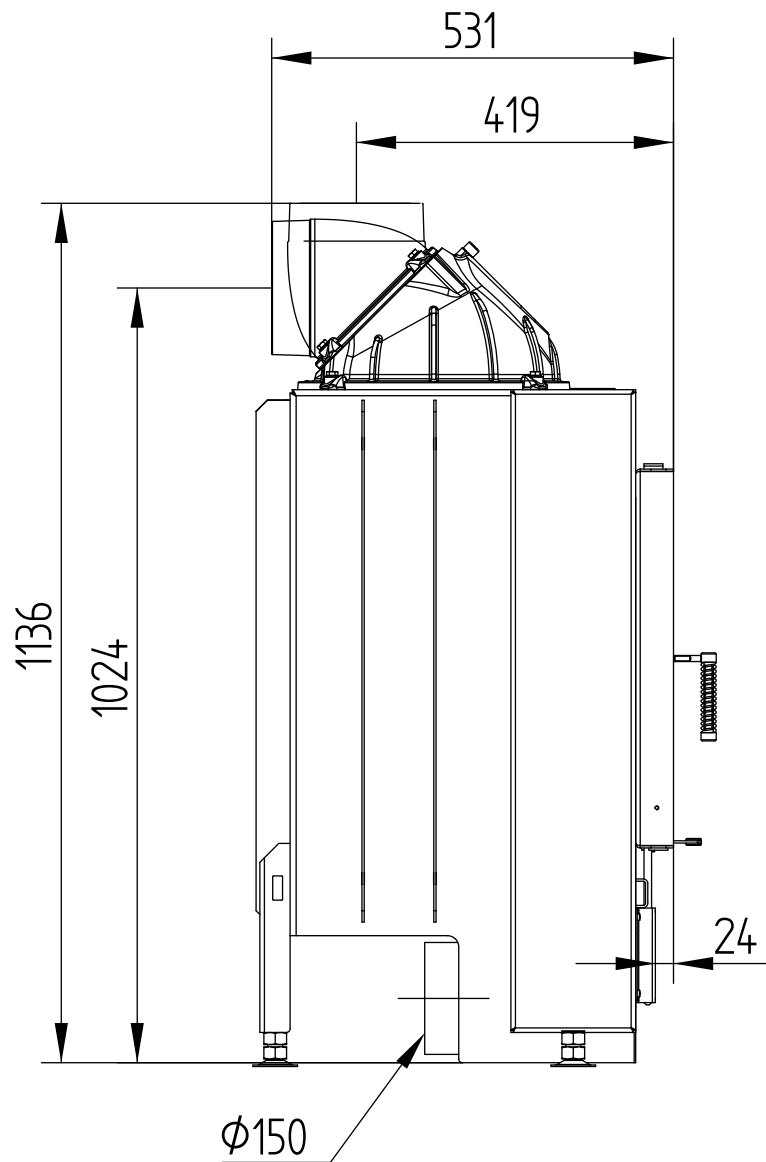


HAKA 37/50G

WITH CUPOLA

Technical data
Version 01/2018

M 1 : 10

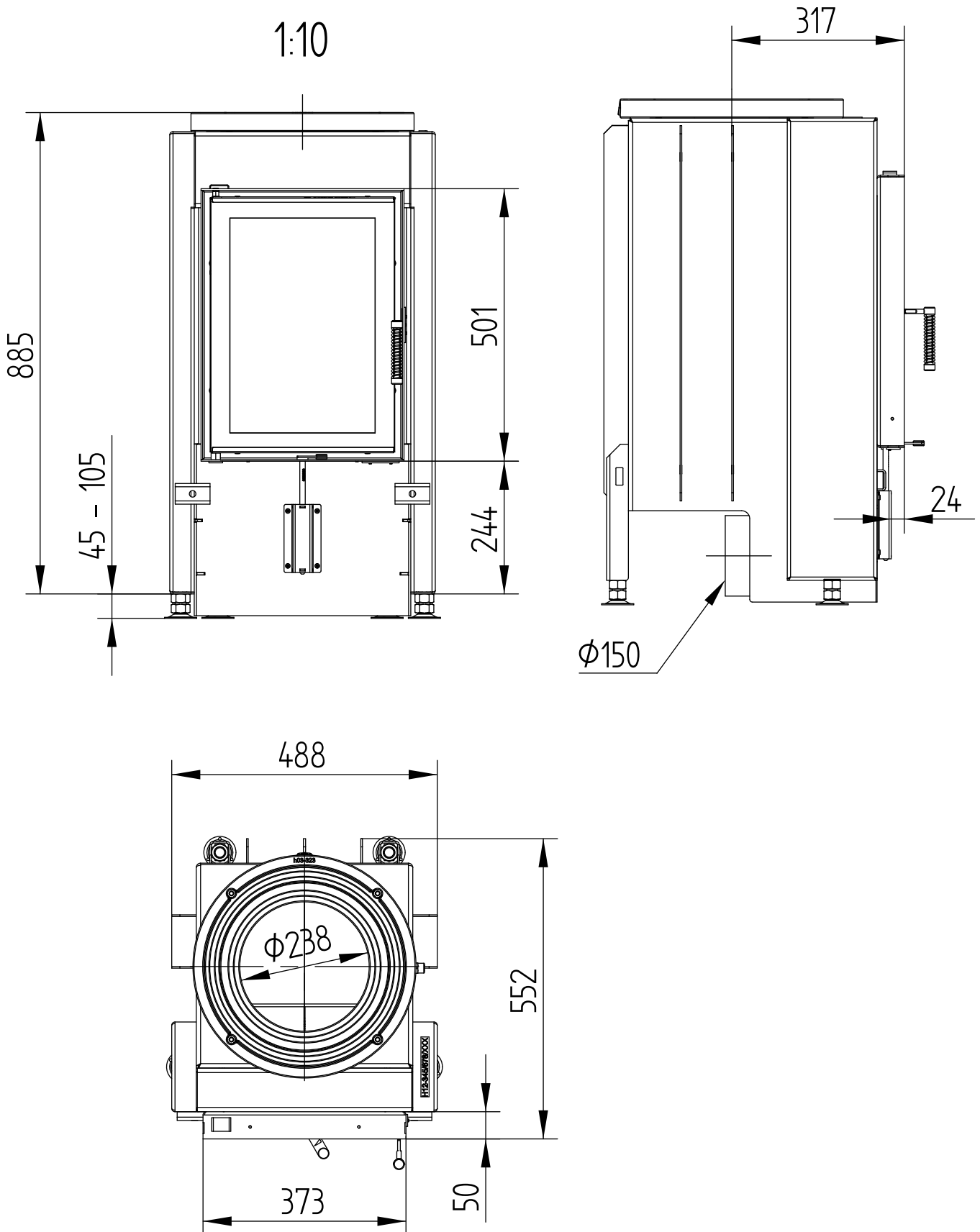


HAKA 37/50G

Technical data
Version 01/2018

WITH ADAPTOR

M 1 : 10

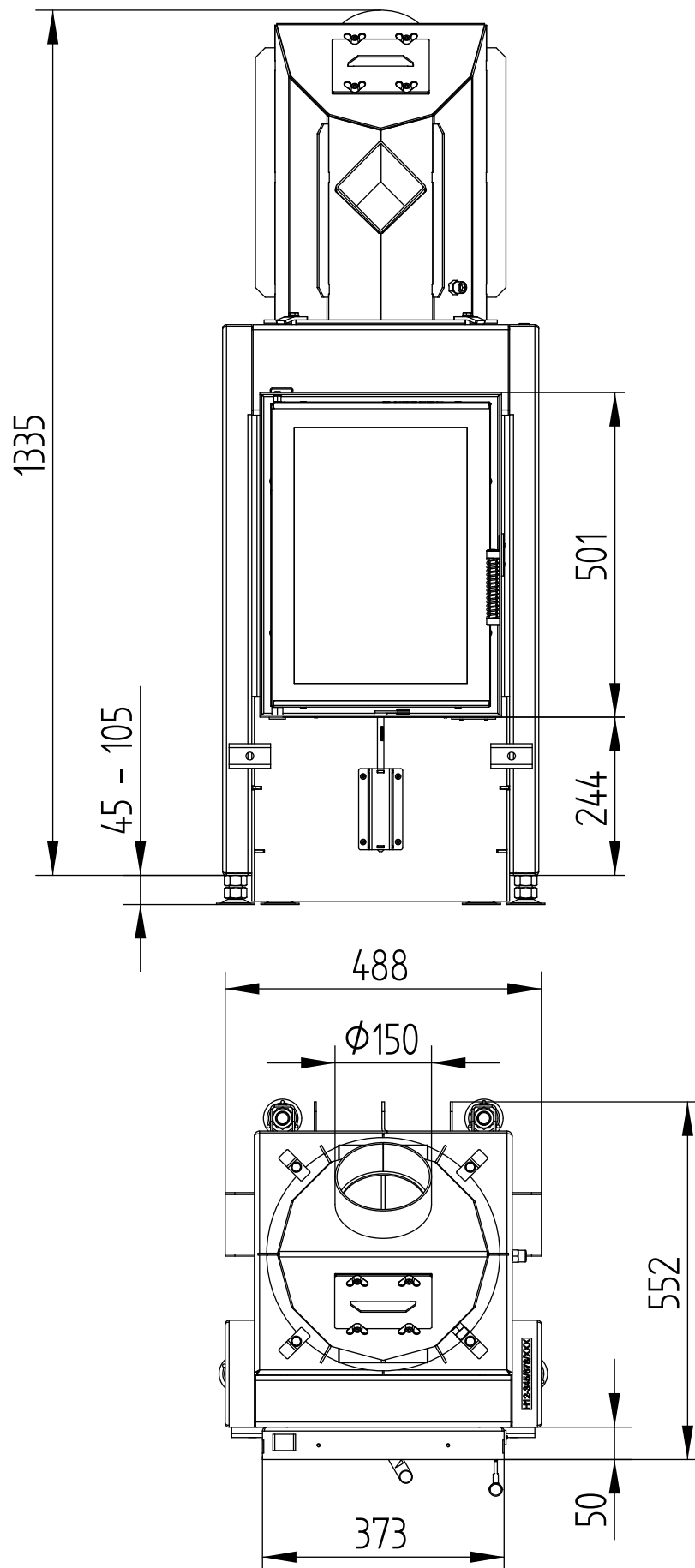


HAKA 37/50G

WITH HOT AIR EXCHANGER

Technical data
Version 01/2018

M 1 : 10

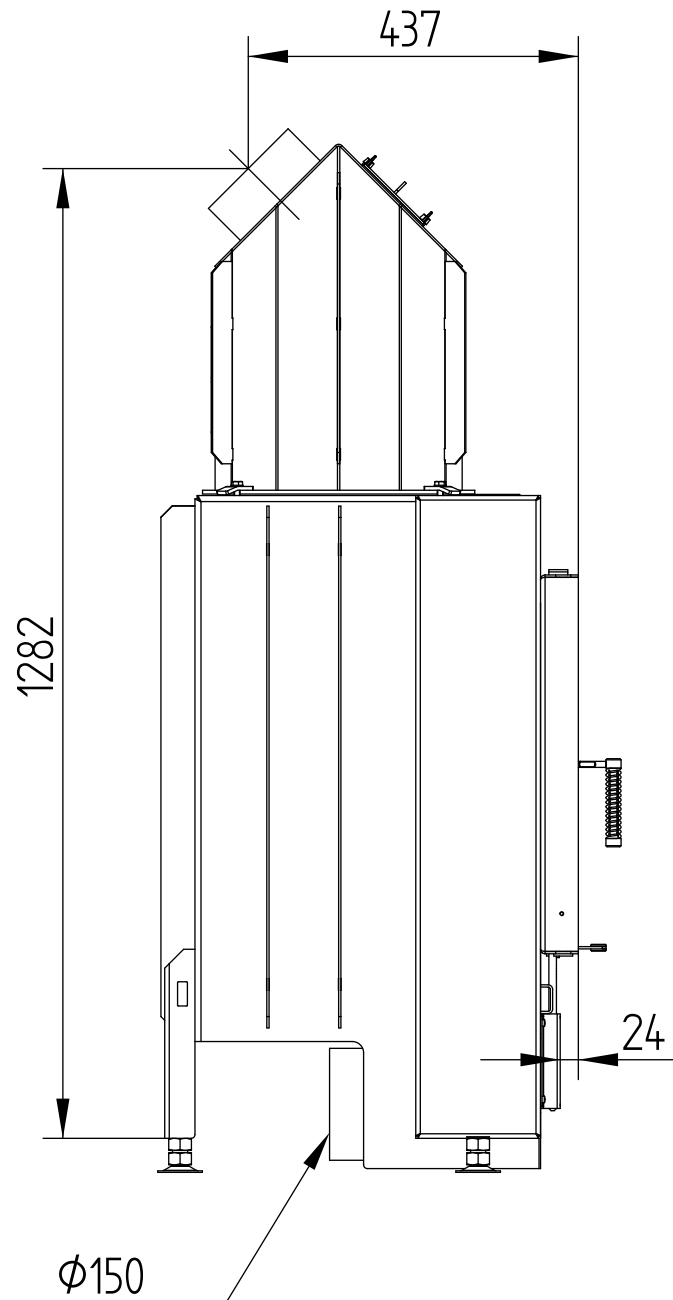


HAKA 37/50G

WITH HOT AIR EXCHANGER

Technical data
Version 01/2018

M 1 : 10

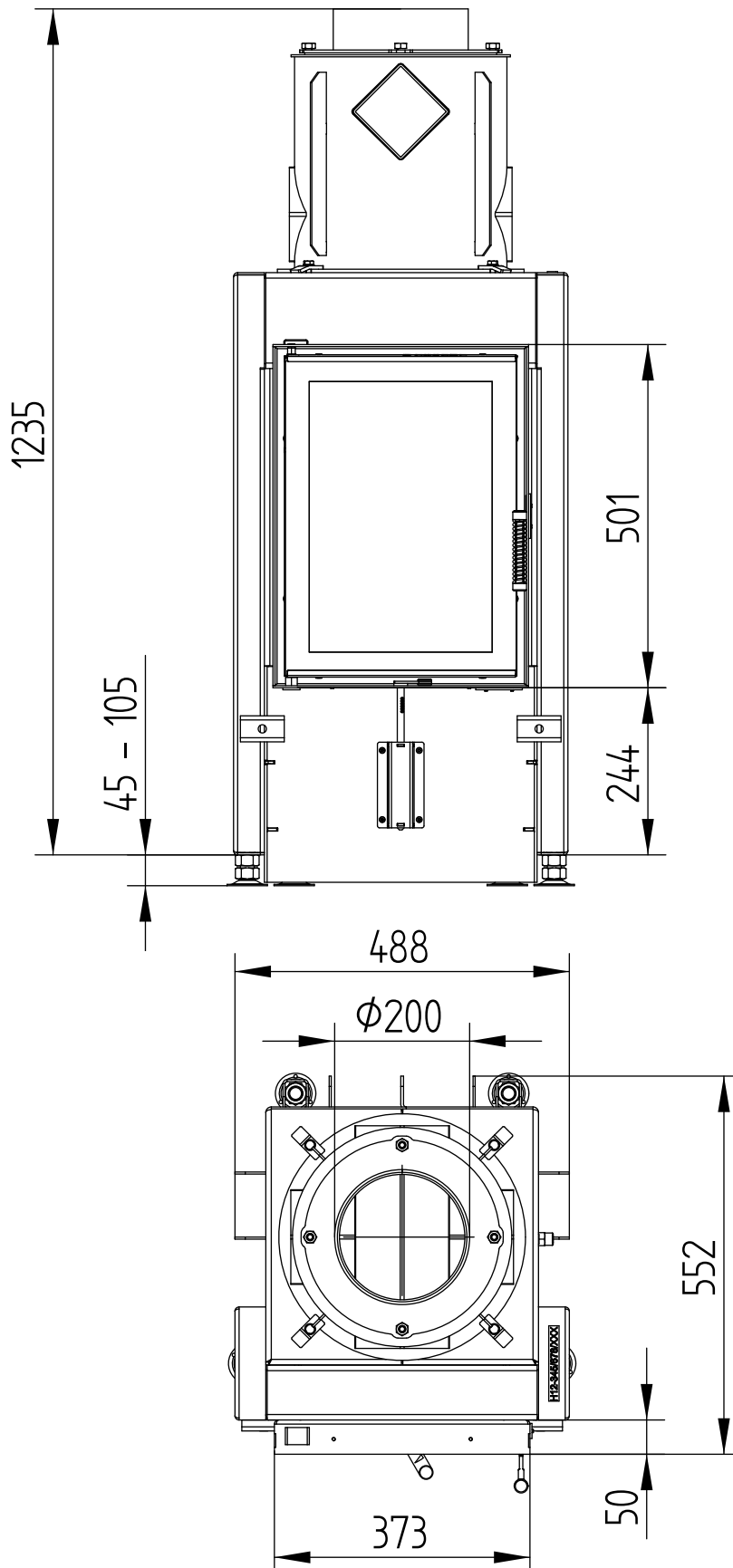


HAKA 37/50G

Technical data
Version 01/2018

WITH HOT AIR EXCHANGER VERTICAL

M 1 : 10

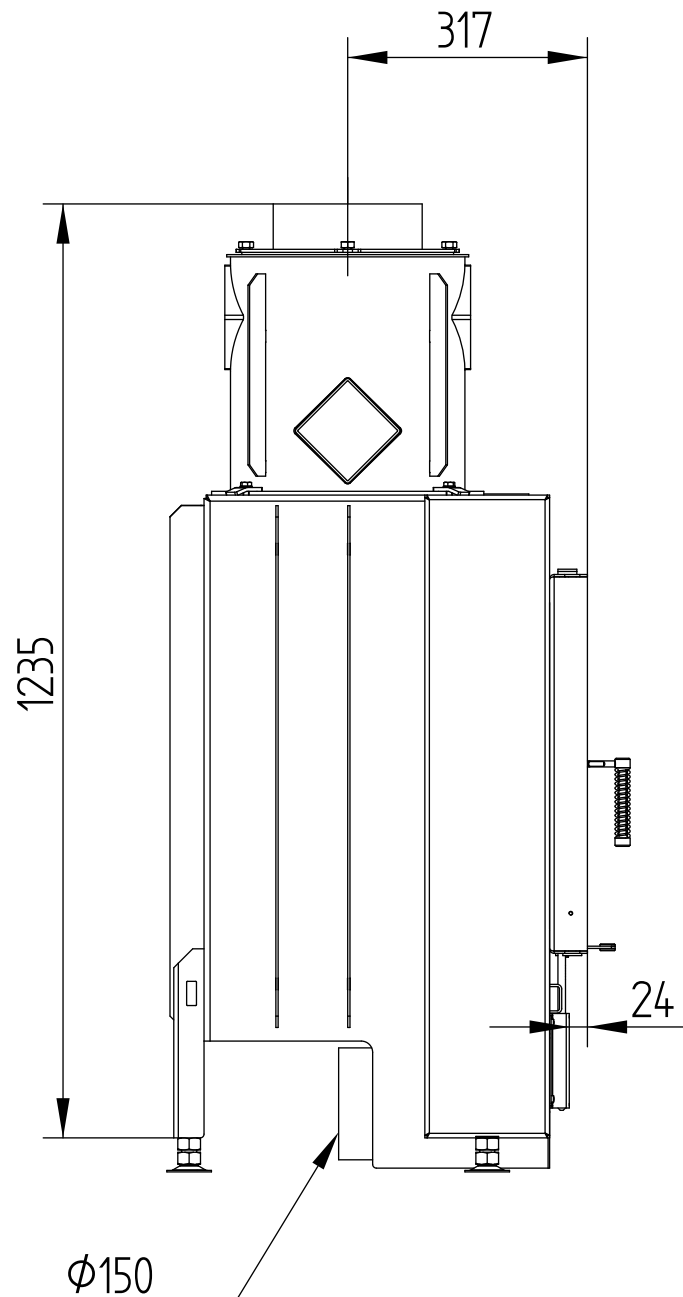


HAKA 37/50G

WITH HOT AIR EXCHANGER VERTICAL

Technical data
Version 01/2018

M 1 : 10

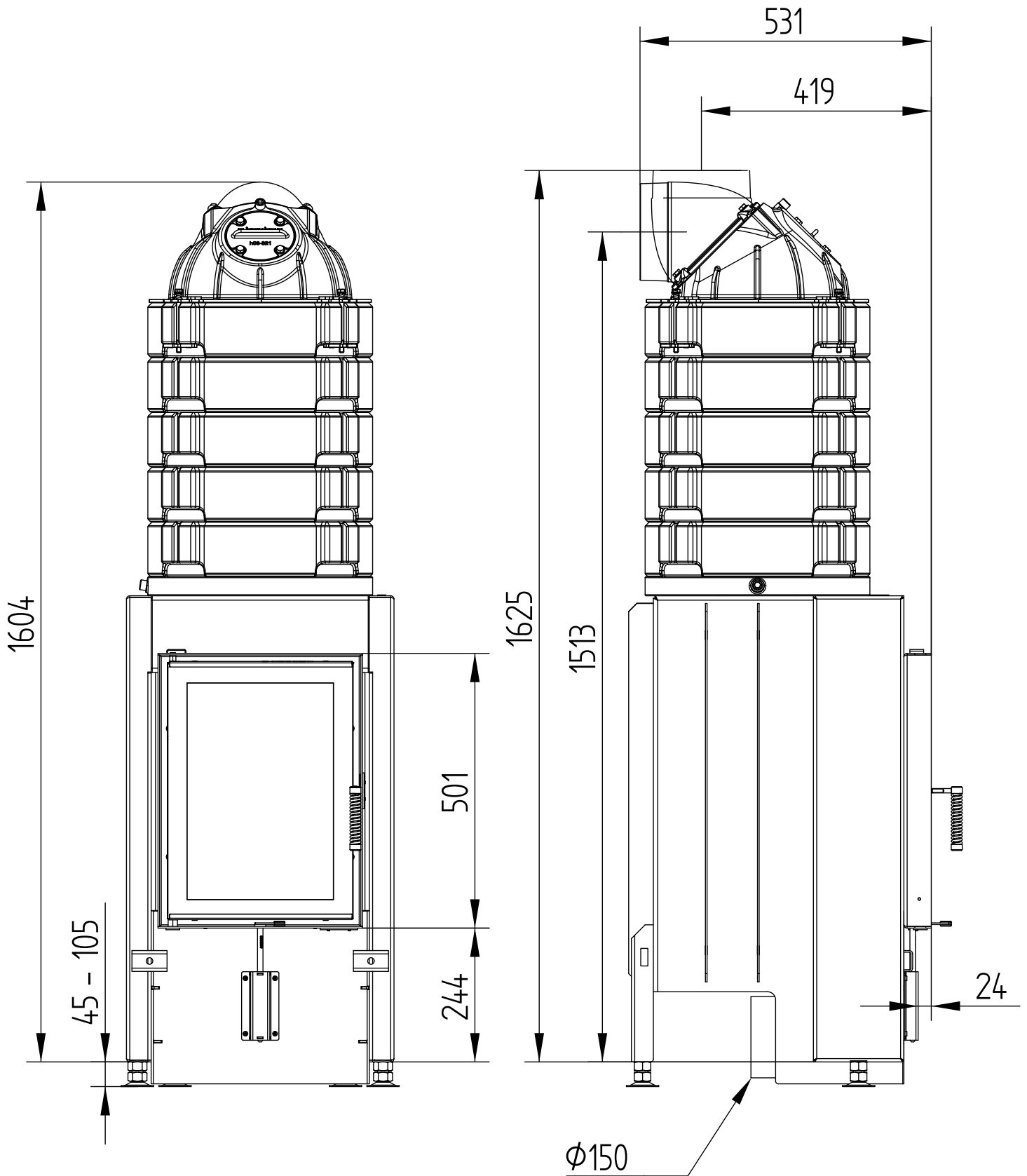


HAKA 37/50G

COVER FRAME 4-SIDED 1 x 90°

Technical data
Version 01/2018

M 1 : 10

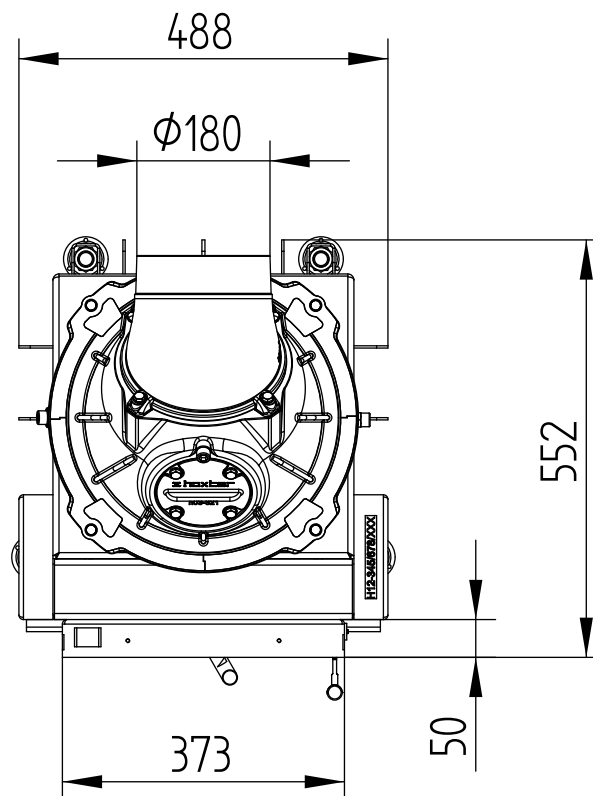


HAKA 37/50G

COVER FRAME 4-SIDED 2 x 45°

Technical data
Version 01/2018

M 1 : 10

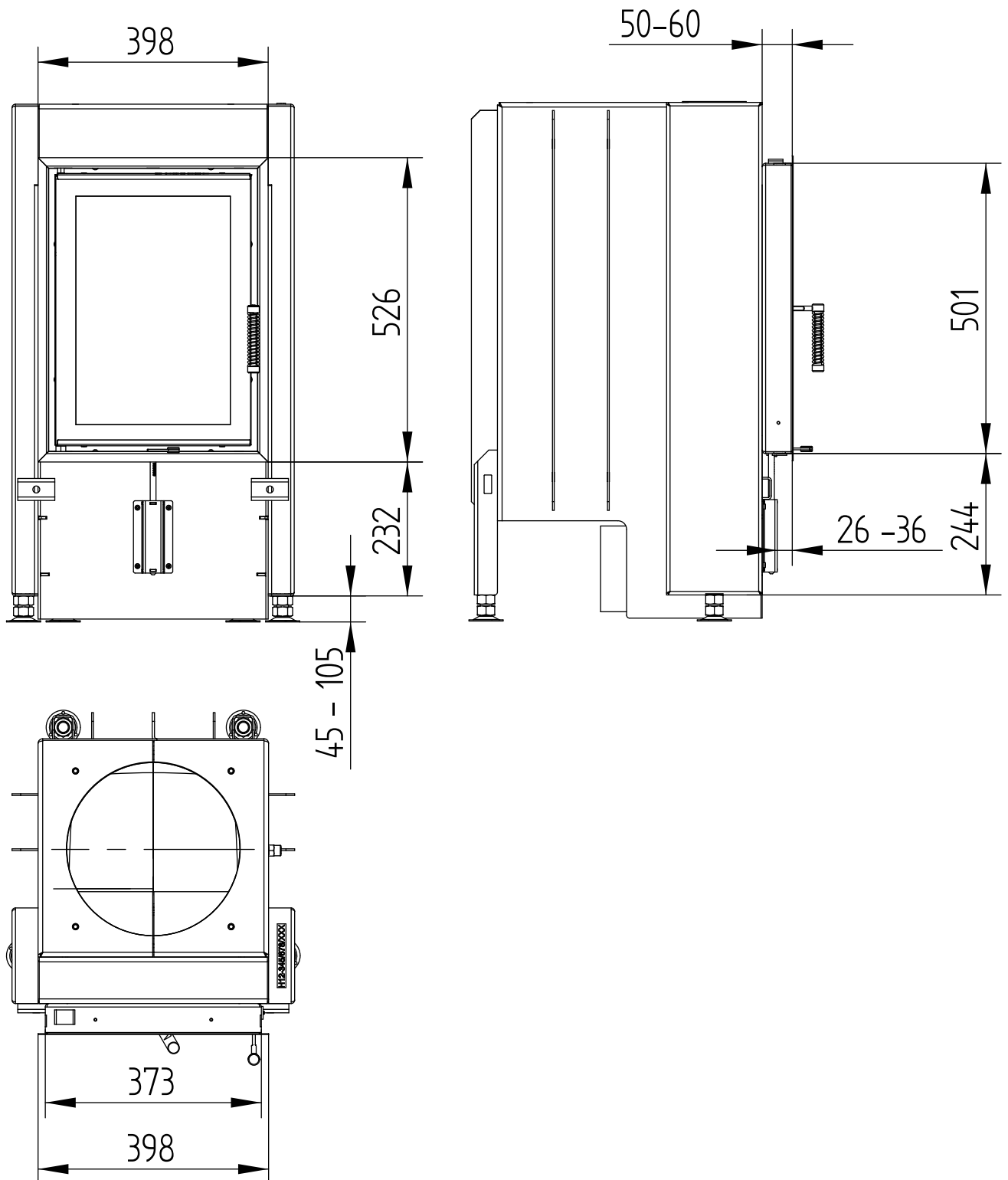


HAKA 37/50G

Technical data
Version 01/2018

COVER FRAME 4-SIDED 1 x 90°

M 1 : 10



HAKA 37/50G

Technical data
Version 01/2018

COVER FRAME 4-SIDED 2 x 45°

M 1 : 10

